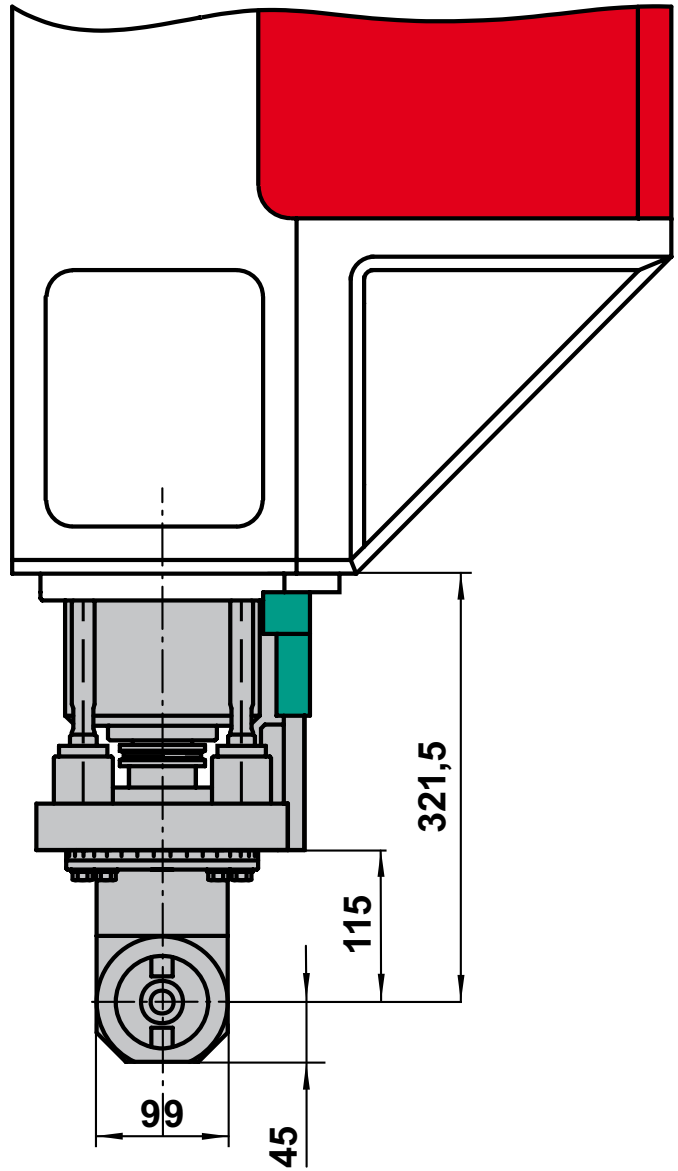
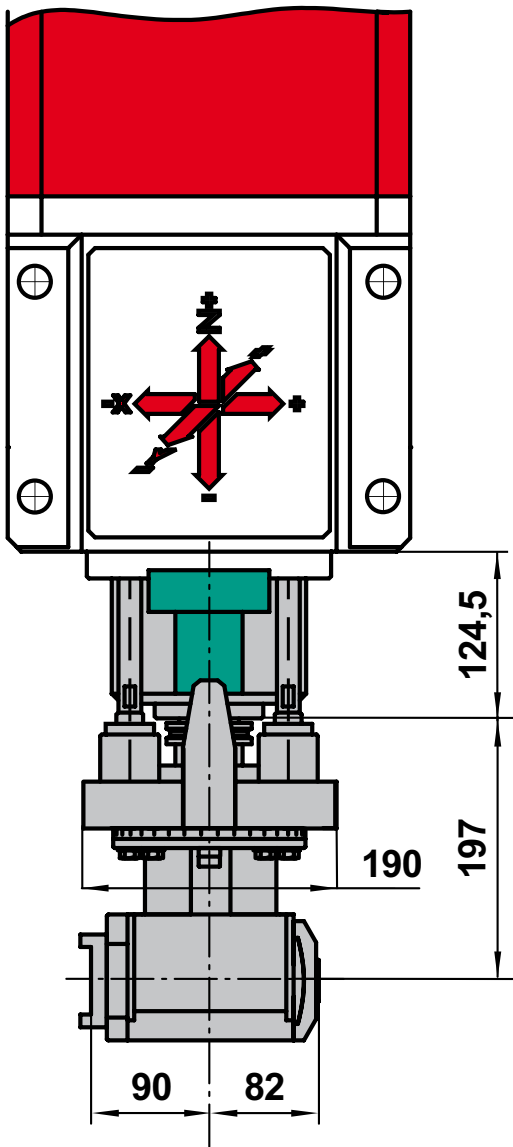


Winkelfräskopf SK40/SK40 (8423)

C60 -8000 min⁻¹
RS60 -8000 min⁻¹
C80 -8000 min⁻¹
RS80 -8000 min⁻¹



Winkelfräskopf SK40/SK40 (30233a)

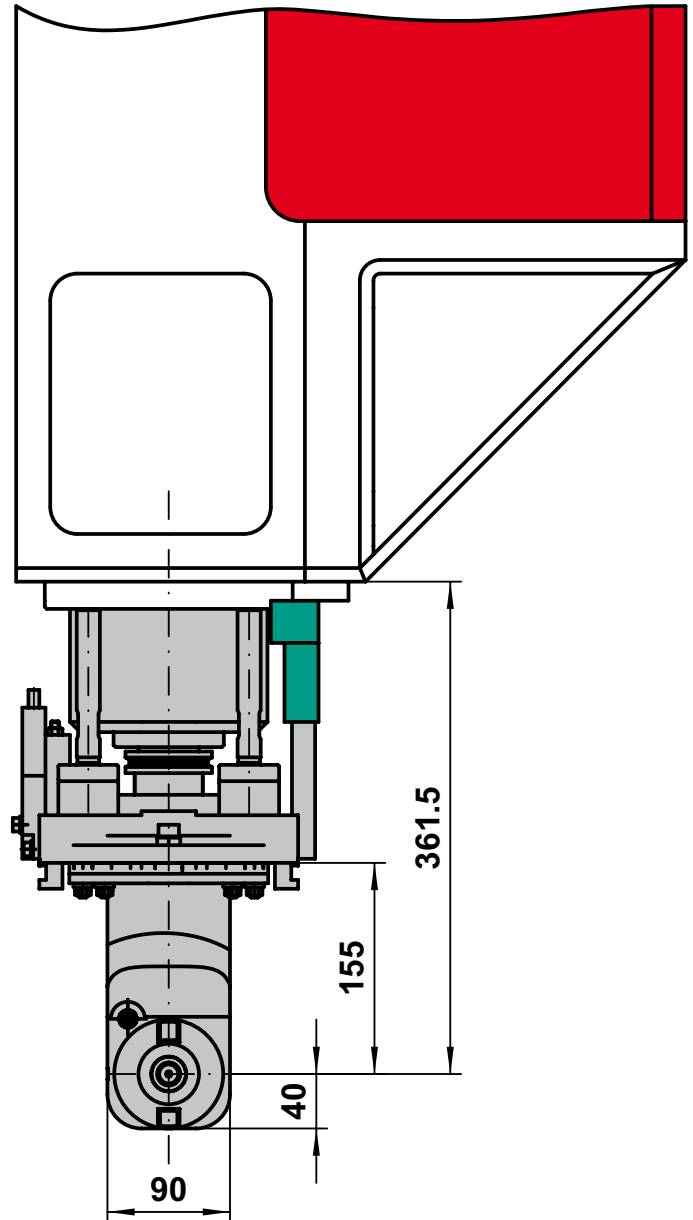
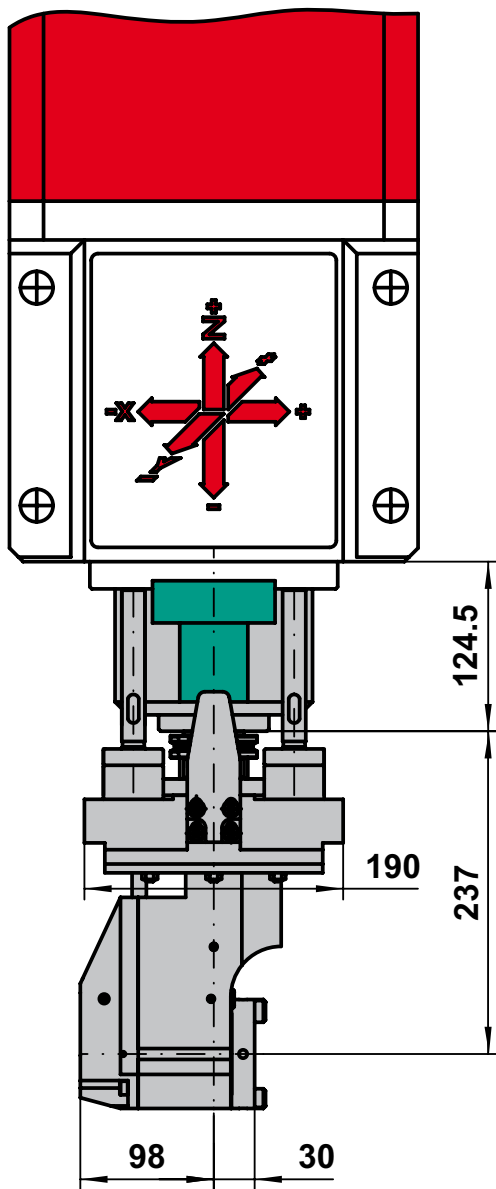
mit innerer Kühlmittelzufuhr

C60 -8000 min⁻¹

RS60 -8000 min⁻¹

C80 -8000 min⁻¹

RS80 -8000 min⁻¹

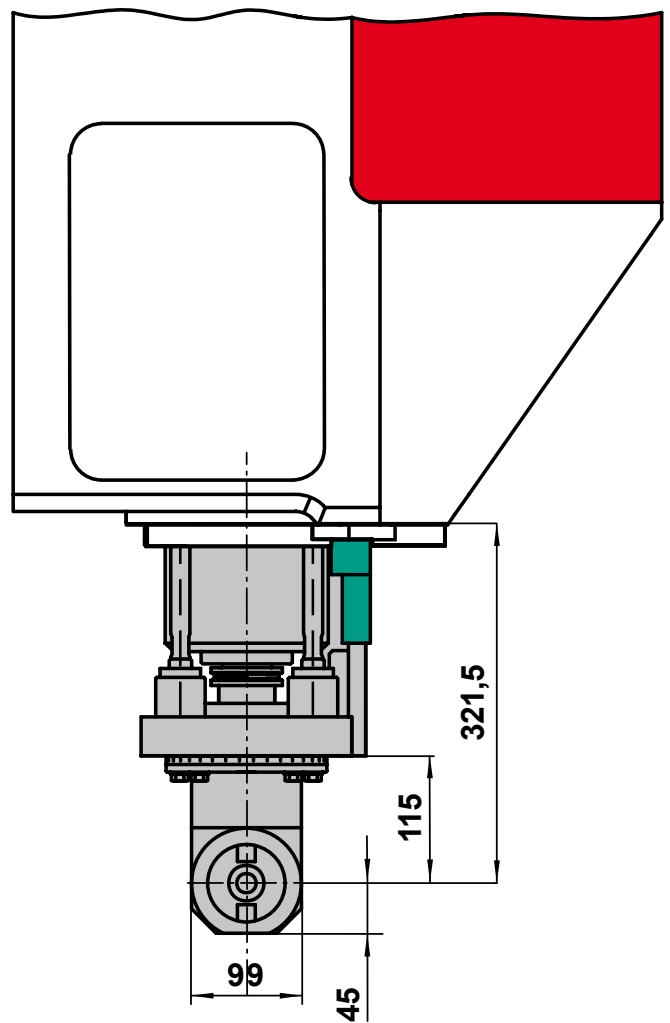
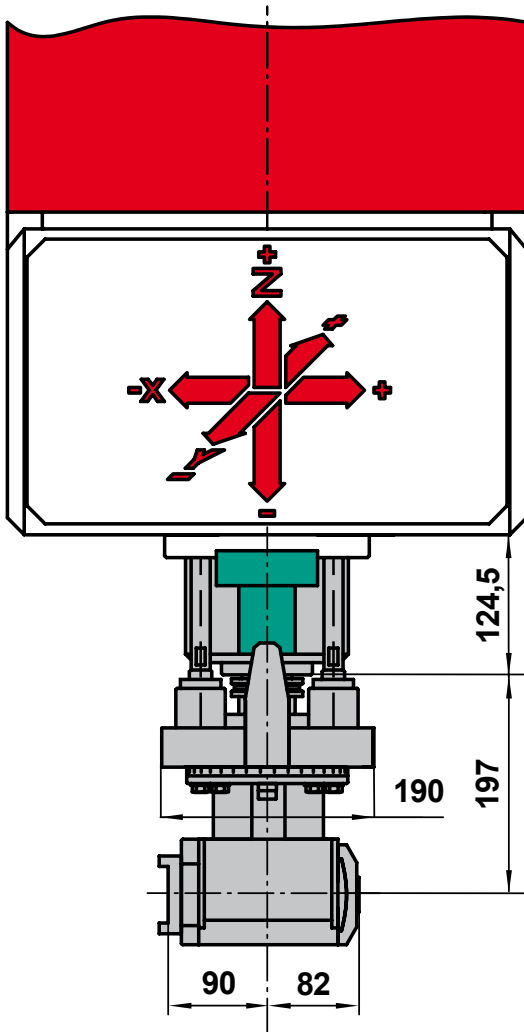


Winkelfräskopf SK40/SK40 (8405)

CI100 -8000 min⁻¹

CI25 -8000 min⁻¹

RSI100 C40 -7000 min⁻¹



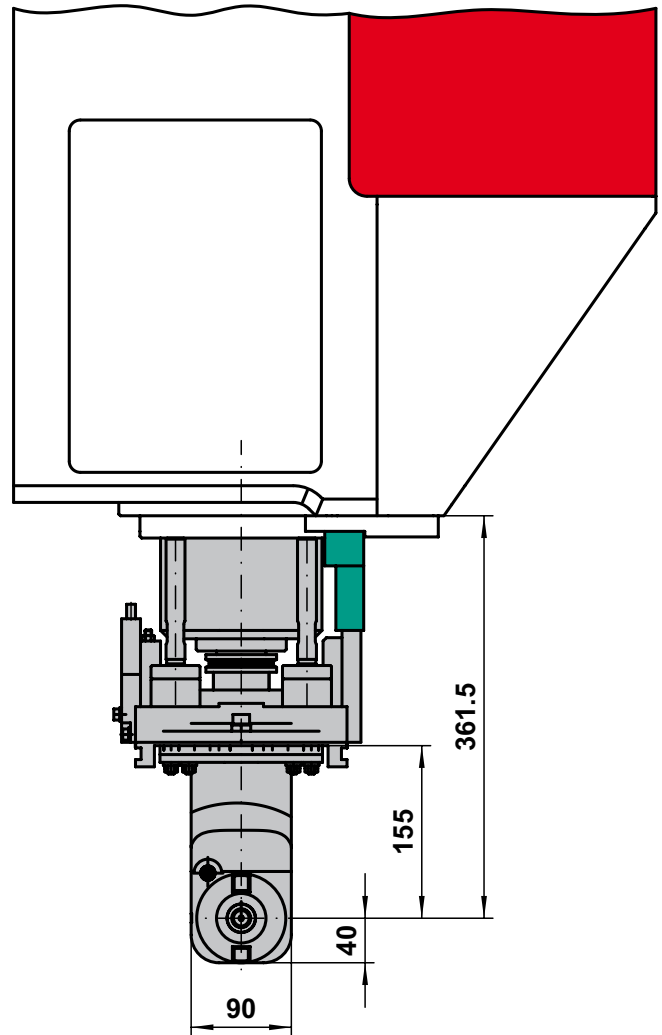
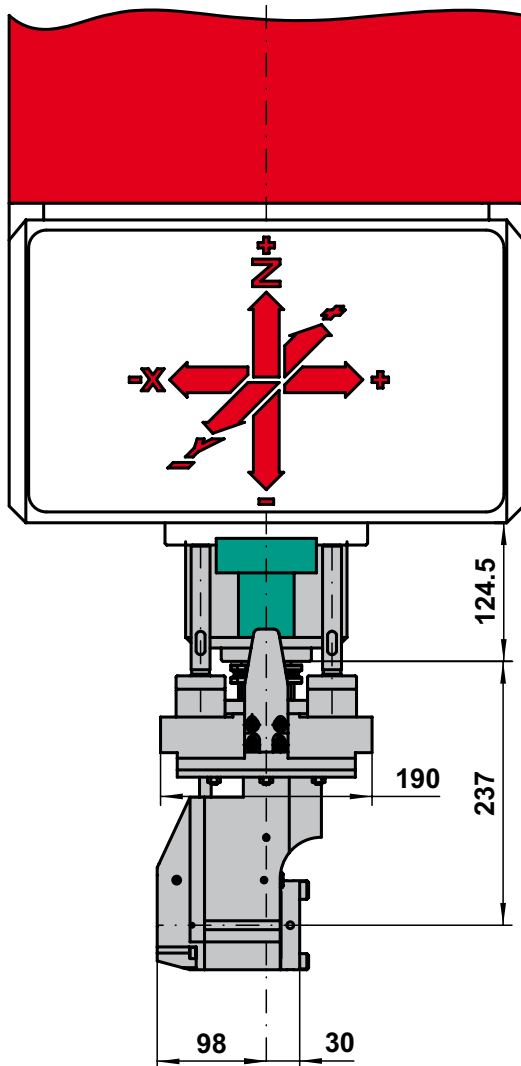
Winkelfräskopf SK40/SK40 (10806a)

mit innerer Kühlmittelzufuhr

CI100 -8000 min⁻¹

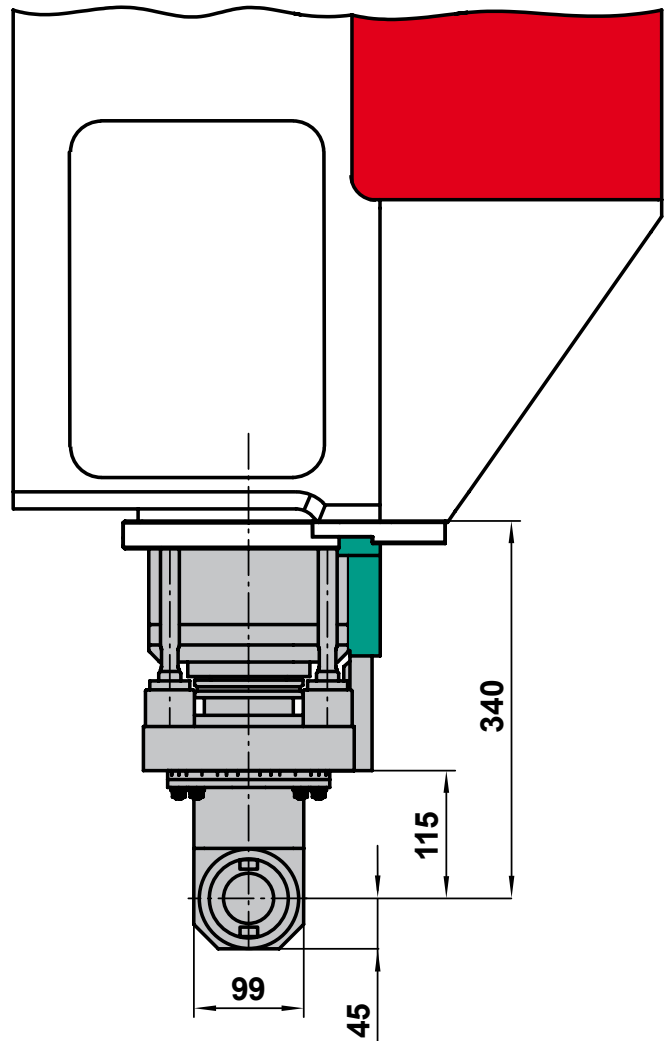
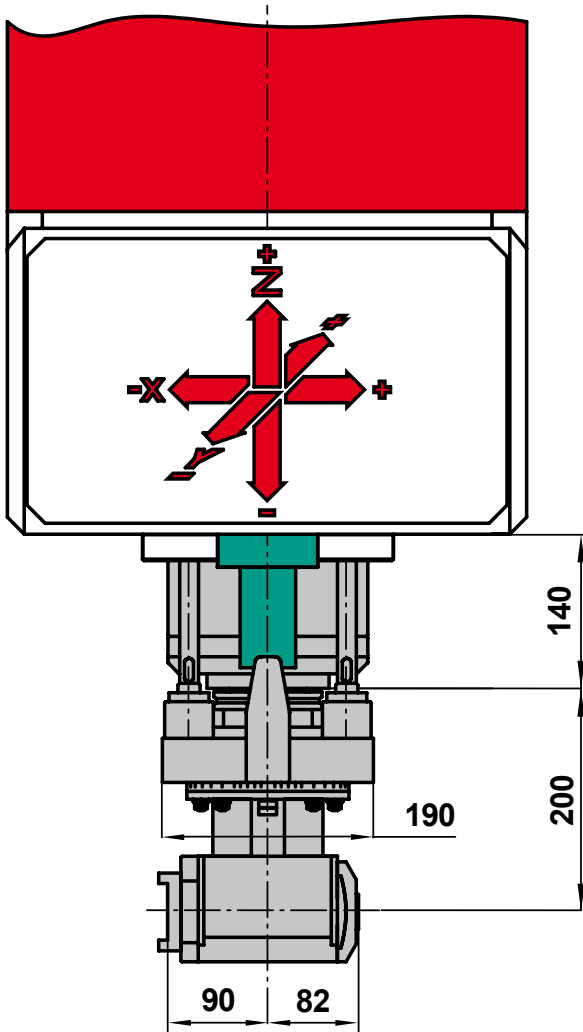
CI25 -8000 min⁻¹

RSI100 C40 -7000 min⁻¹



Winkelfräskopf SK50/SK40 (8401)

BC100 -4500/6000 min⁻¹
BC125 -6000/7000 min⁻¹
RSI100K/L -7000 min⁻¹
RSI25K -7000 min⁻¹



Winkelfräskopf SK50/SK40 (10805a)

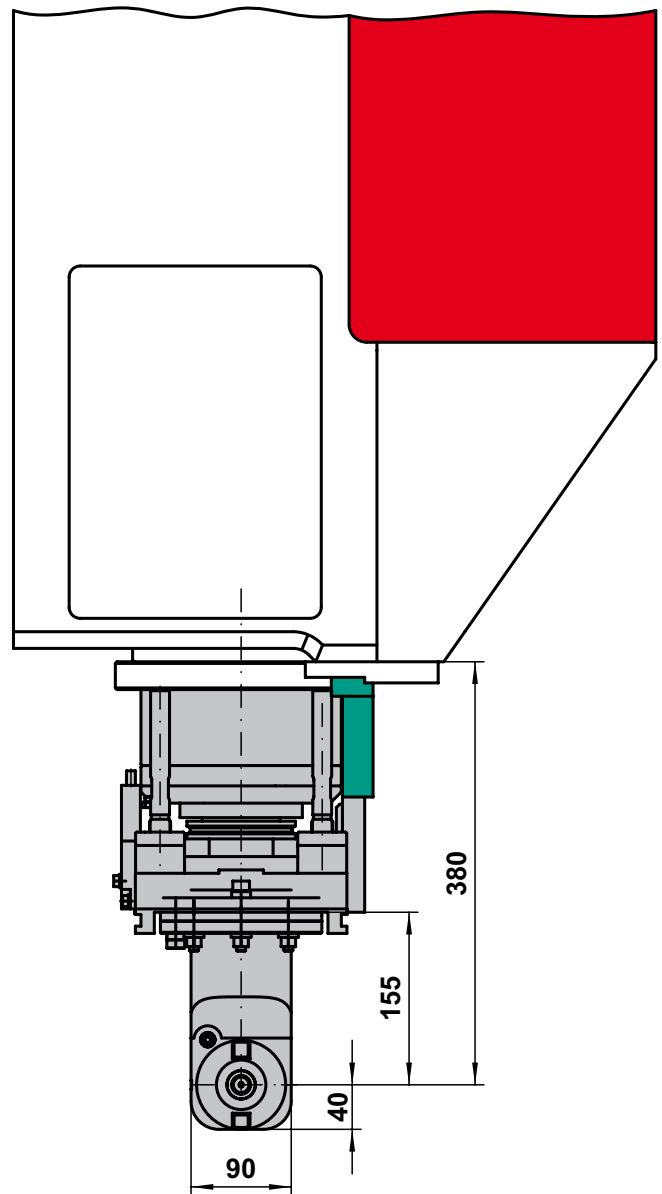
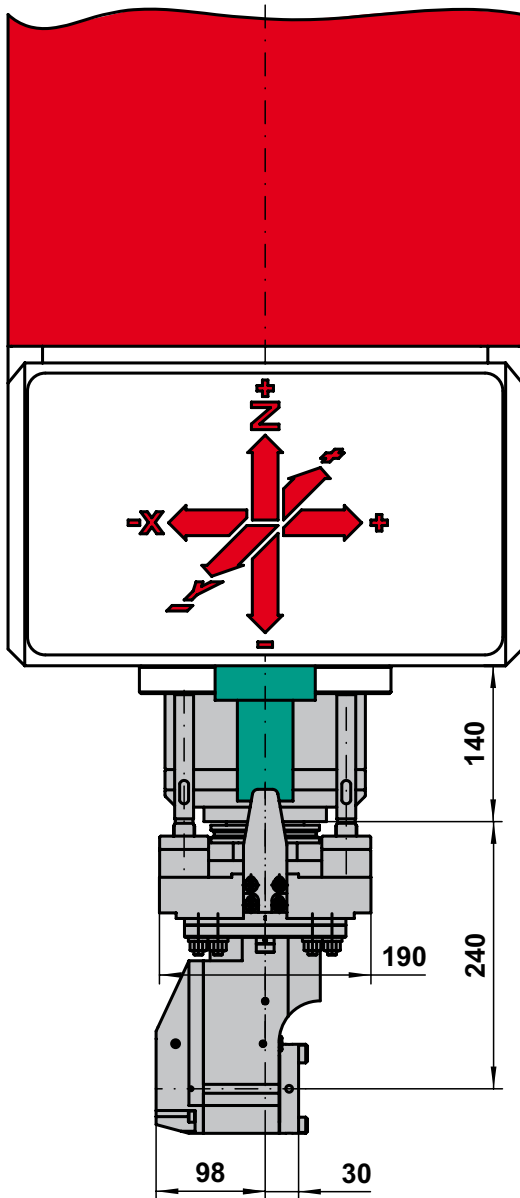
mit innerer Kühlmittelzufuhr

BC100 -4500/6000 min⁻¹

BC125 -6000/7000 min⁻¹

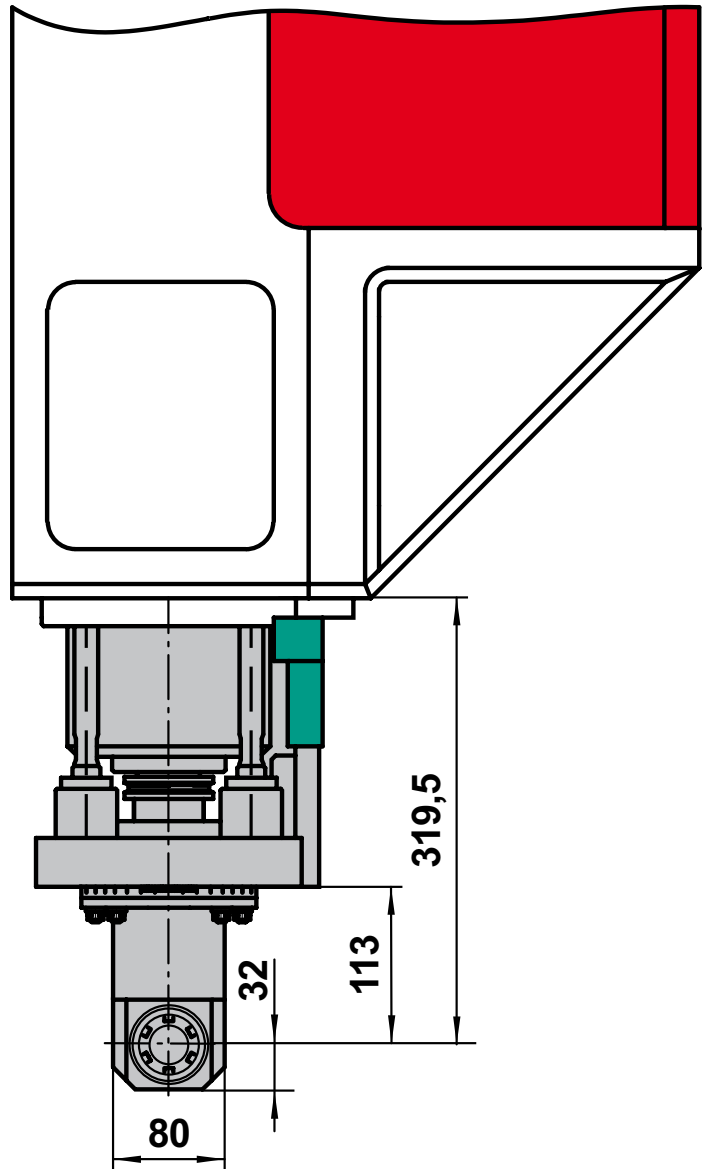
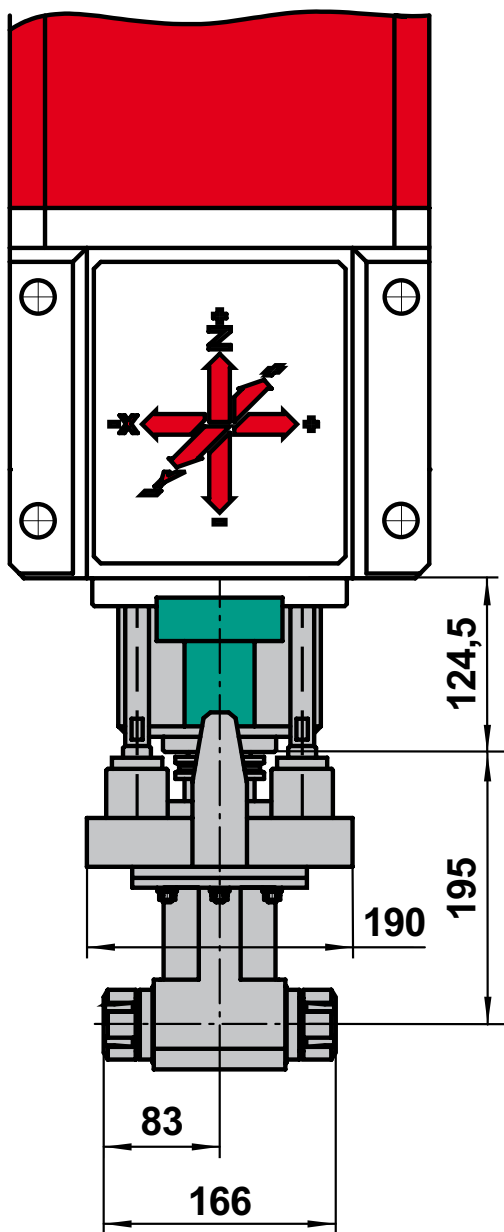
RSI100K/L -7000 min⁻¹

RSI25K -7000 min⁻¹



Doppel-Winkelbohrkopf SK40/ER32 (4827a)

C60 -8000 min⁻¹
RS60 -8000 min⁻¹
C80 -8000 min⁻¹
RS80 -8000 min⁻¹

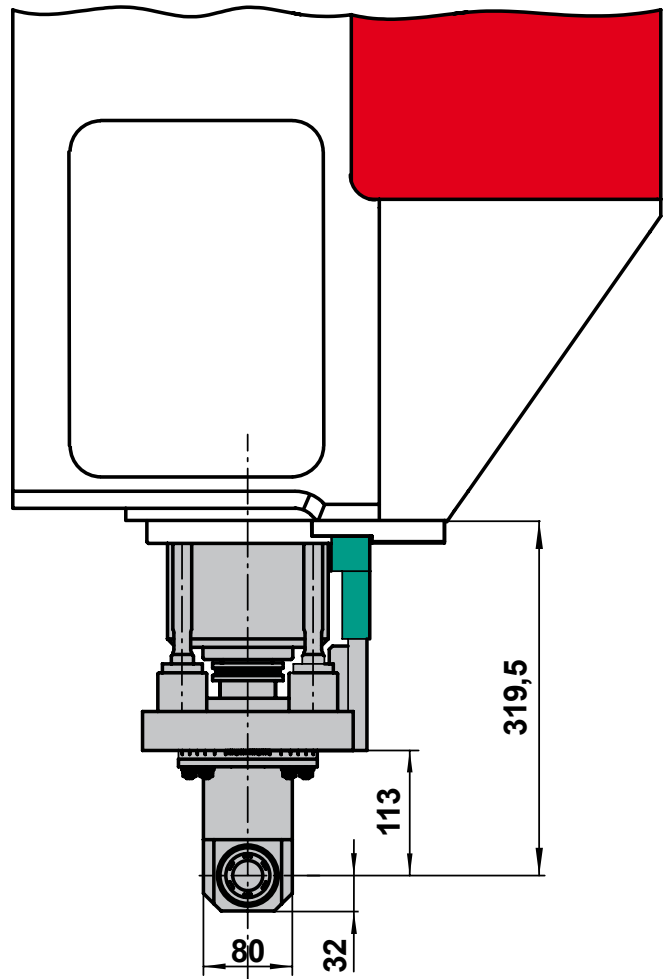
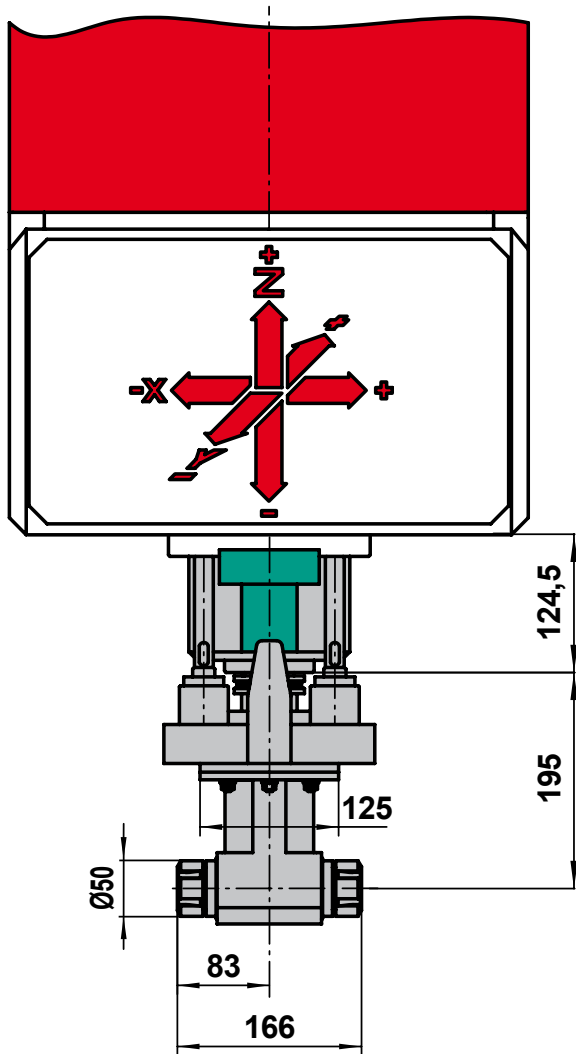


Doppel-Winkelbohrkopf SK40/ER32 (8420a)

CI100 -8000 min⁻¹

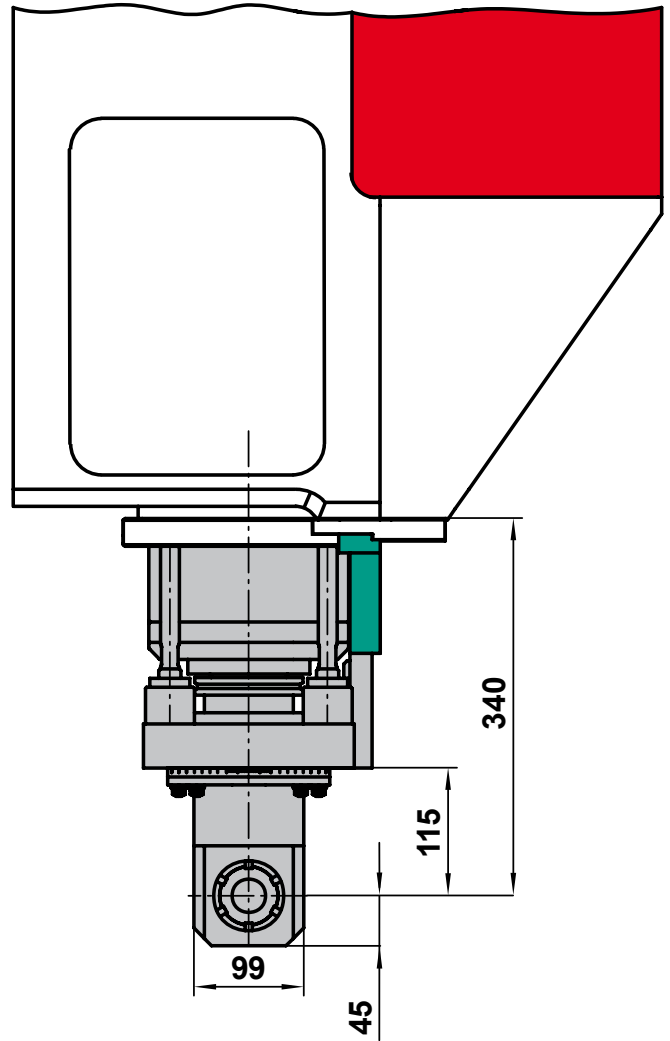
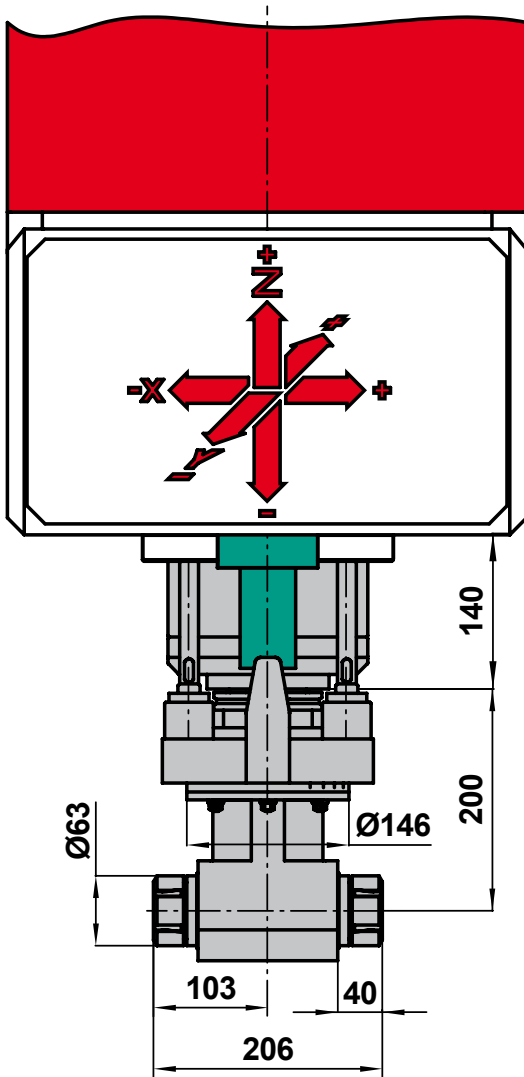
CI25 -8000 min⁻¹

RSI100 C40 -7000 min⁻¹



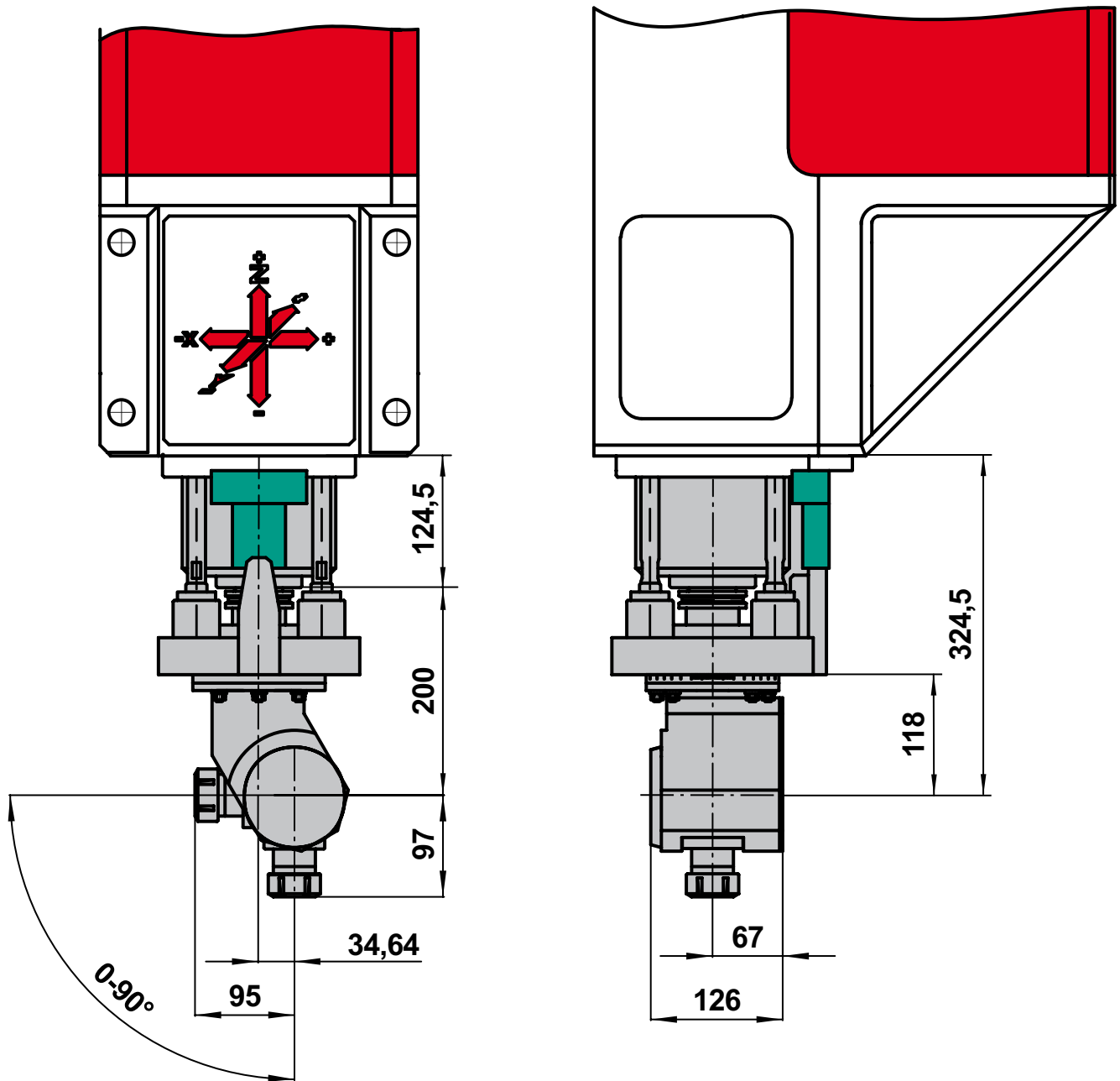
Doppel-Winkelbohrkopf SK50/ER40 (8393)

BC100	-4500/6000 min ⁻¹
BC125	-6000/7000 min ⁻¹
RSI00K/L	-7000 min ⁻¹
RSI25K	-7000 min ⁻¹



Schwenkbarer Winkelbohrkopf SK40/ER32 (8432)

C60 -8000 min⁻¹
RS60 -8000 min⁻¹
C80 -8000 min⁻¹
RS80 -8000 min⁻¹



Schwenkbarer Winkelbohrkopf SK50/ER40 (8431)

BC100 -4500/6000 min⁻¹
BC125 -6000/7000 min⁻¹
RSI00K/L -7000 min⁻¹
RSI25K -7000 min⁻¹

