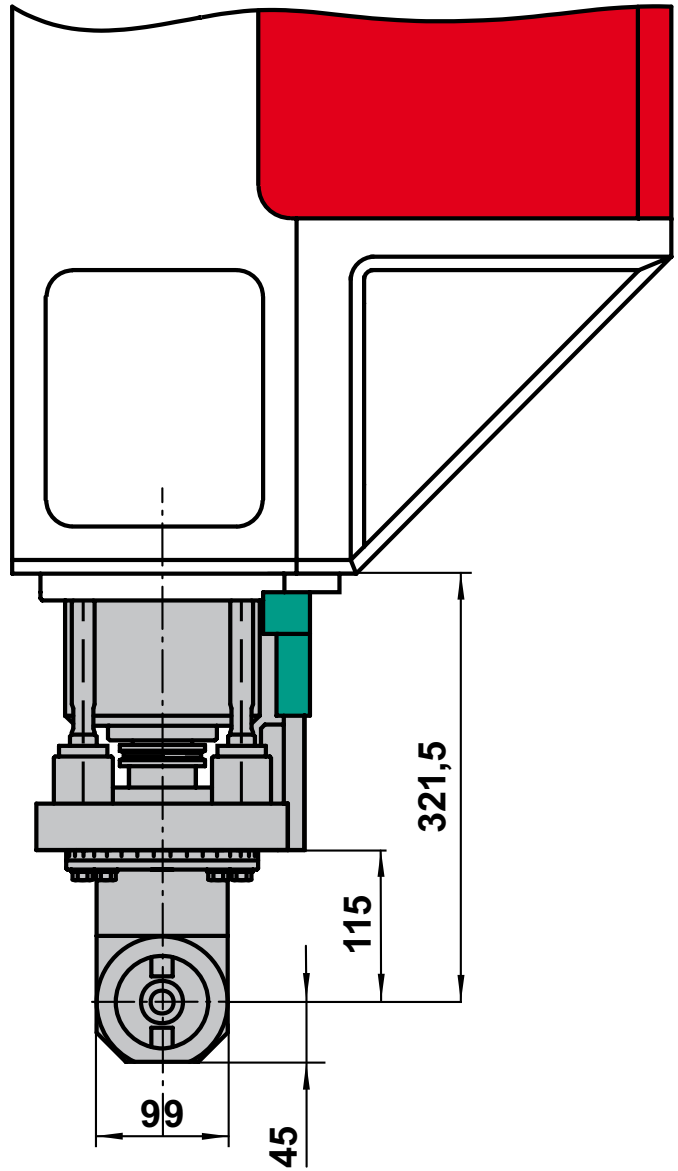
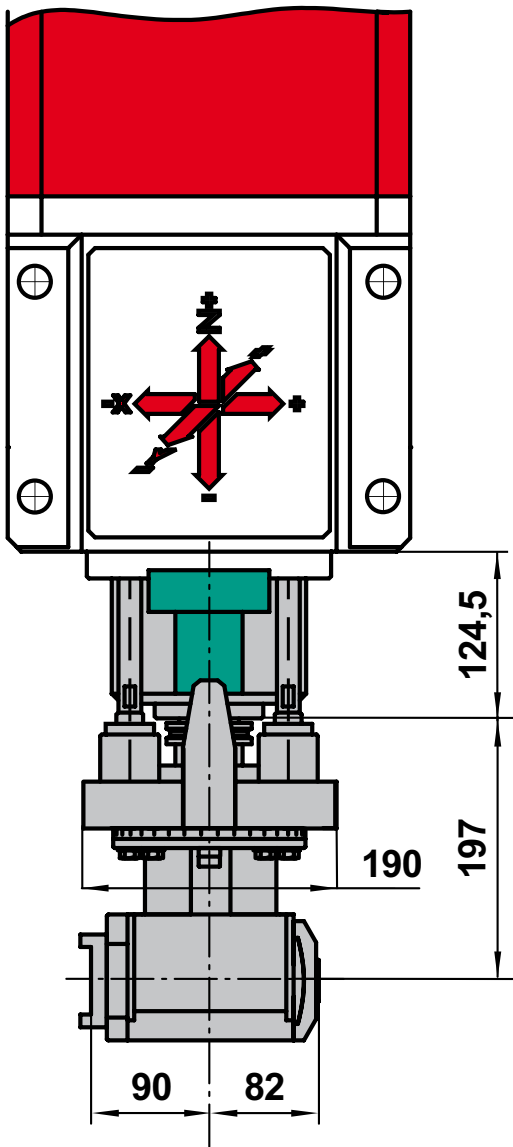


Haakse freeskop SK40/SK40 (8423)

C60 -8000 omw/min
RS60 -8000 omw/min
C80 -8000 omw/min
RS80 -8000 omw/min



Haakse freeskop SK40/SK40 (30233a)

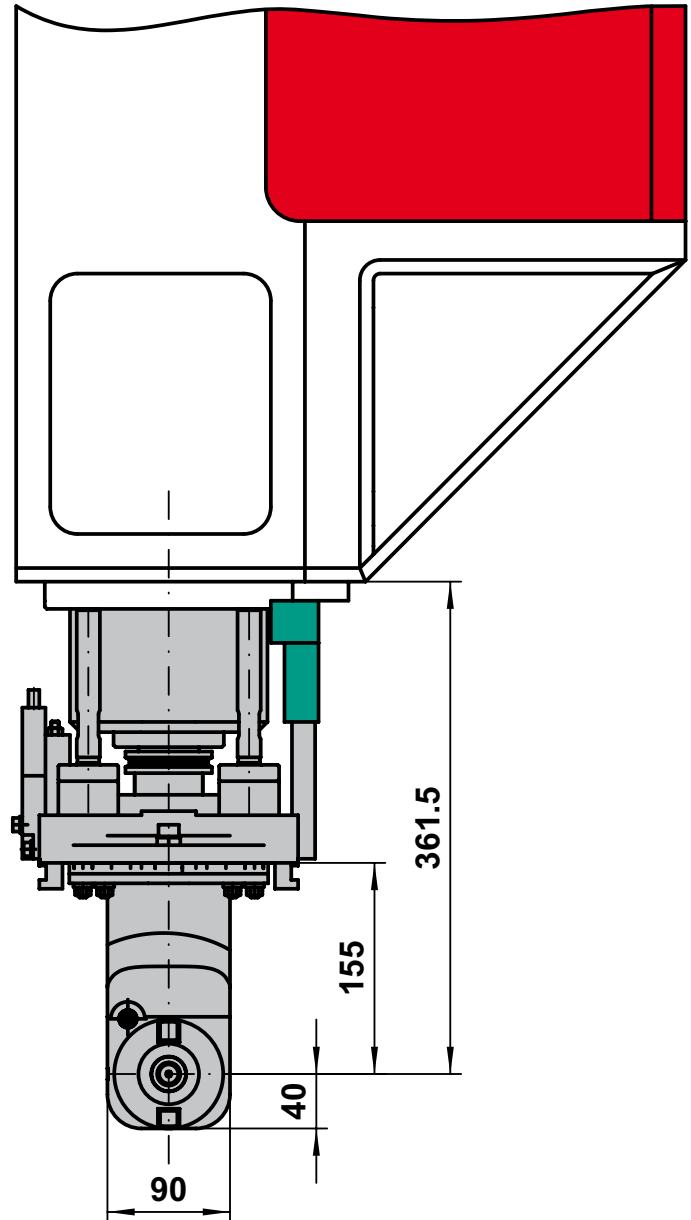
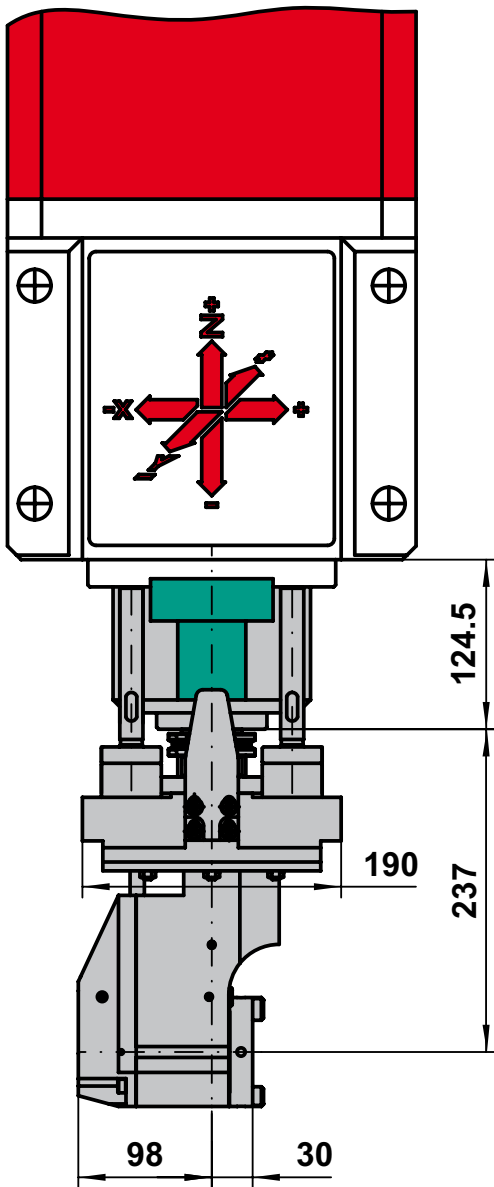
met interne koelmiddeltoevoer

C60 -8000 omw/min

RS60 -8000 omw/min

C80 -8000 omw/min

RS80 -8000 omw/min

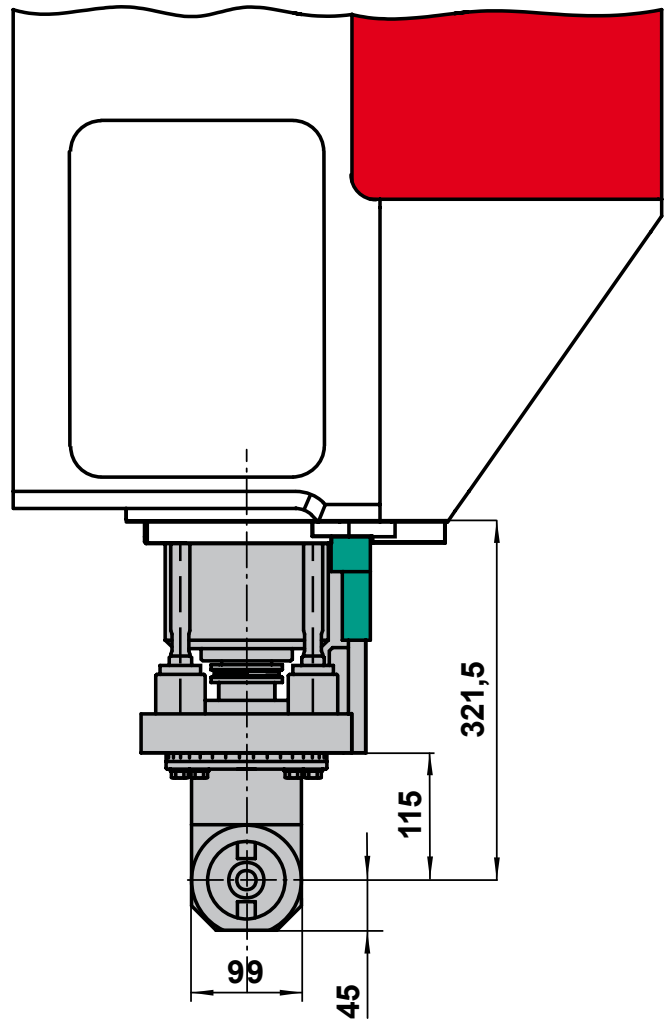
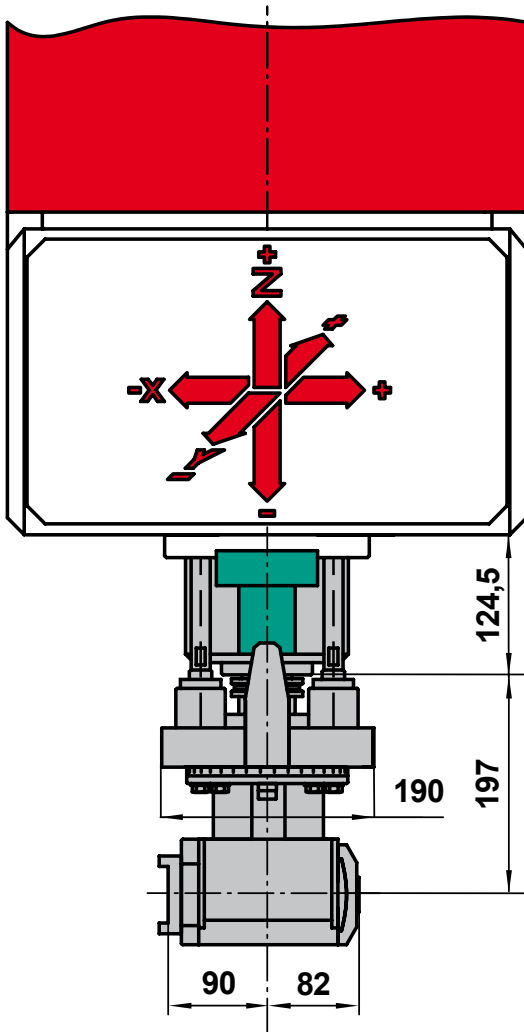


Haakse freeskop SK40/SK40 (8405)

CI100 -8000 omw/min

CI25 -8000 omw/min

RSI00C40 -7000 omw/min



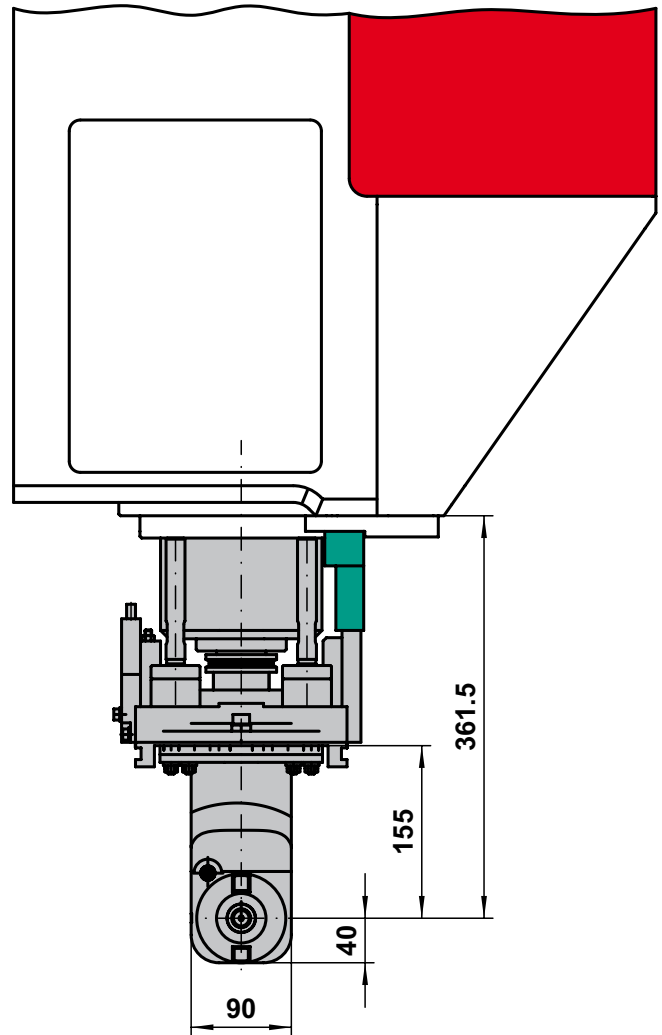
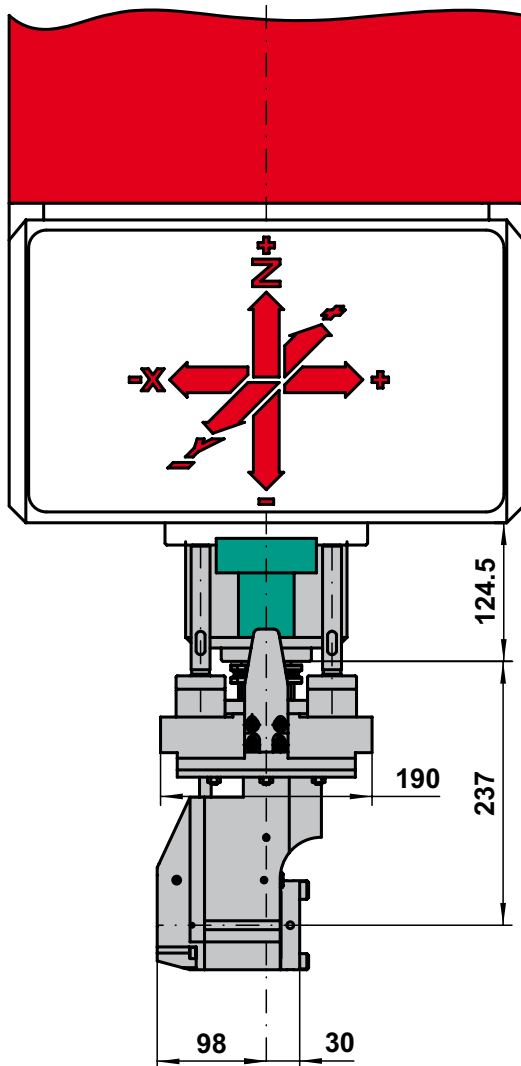
Haakse freeskop SK40/SK40 (10806a)

met interne koelmiddeltoevoer

CI100 -8000 omw/min

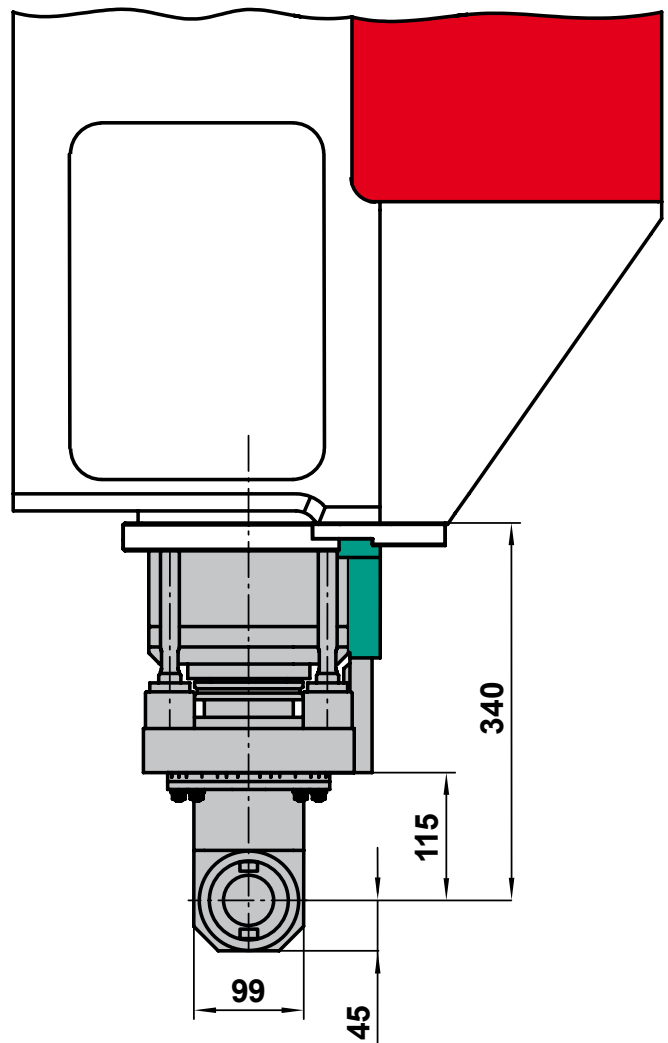
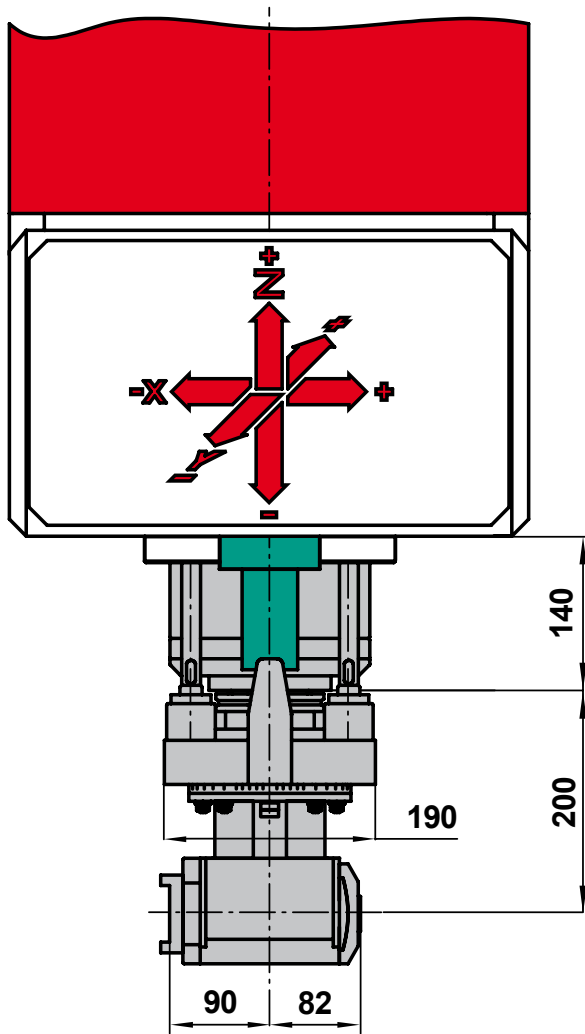
CI25 -8000 omw/min

RSI100C40 -7000 omw/min



Haakse freeskop SK50/SK40 (8401)

BC100 -4500/6000 omw/min
BC125 -6000/7000 omw/min
RSI100K/L -7000 omw/min
RSI25K -7000 omw/min



Haakse freeskop SK50/SK40 (I0805a)

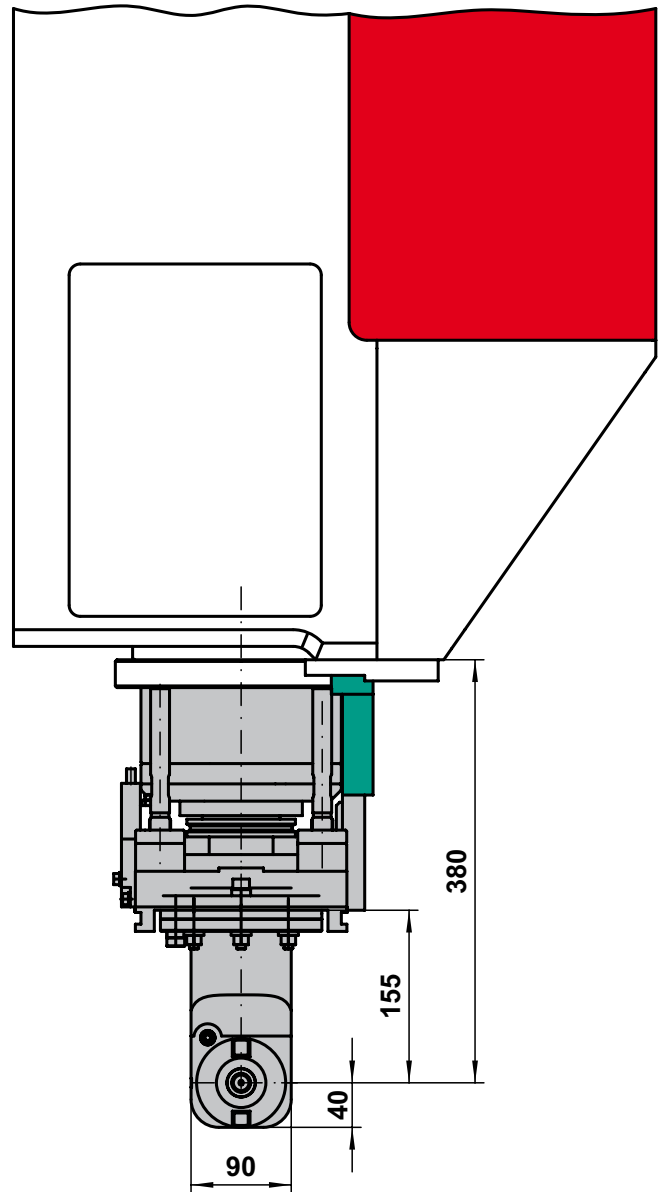
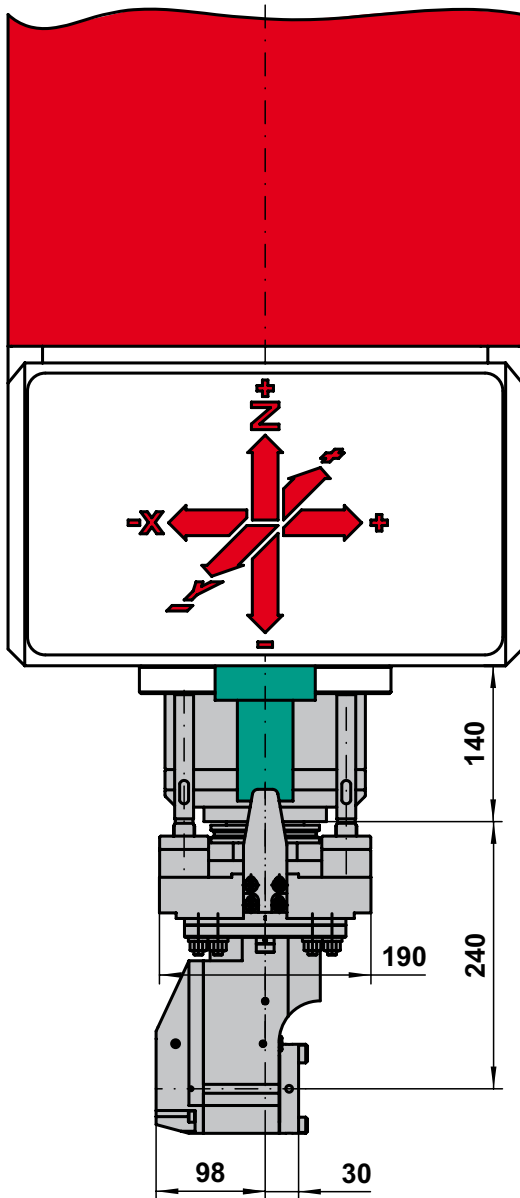
met interne koelmiddeltoevoer

BC100 -4500/6000 omw/min

BC125 -6000/7000 omw/min

RSI100K/L -7000 omw/min

RSI25K -7000 omw/min



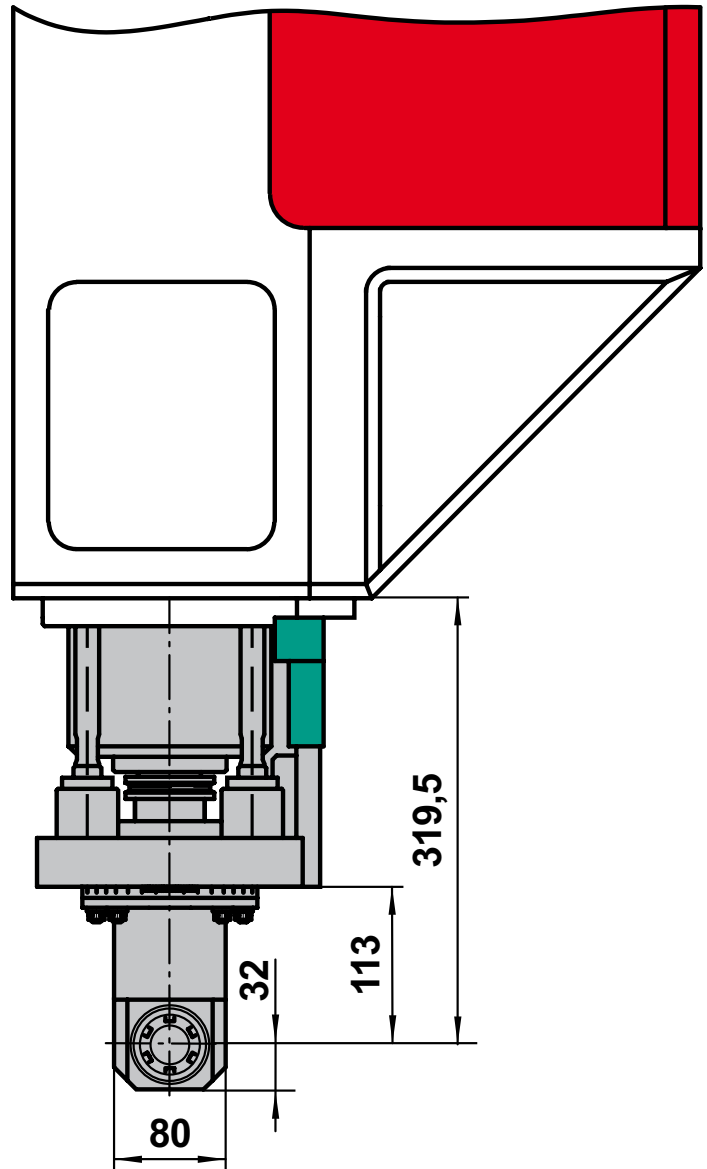
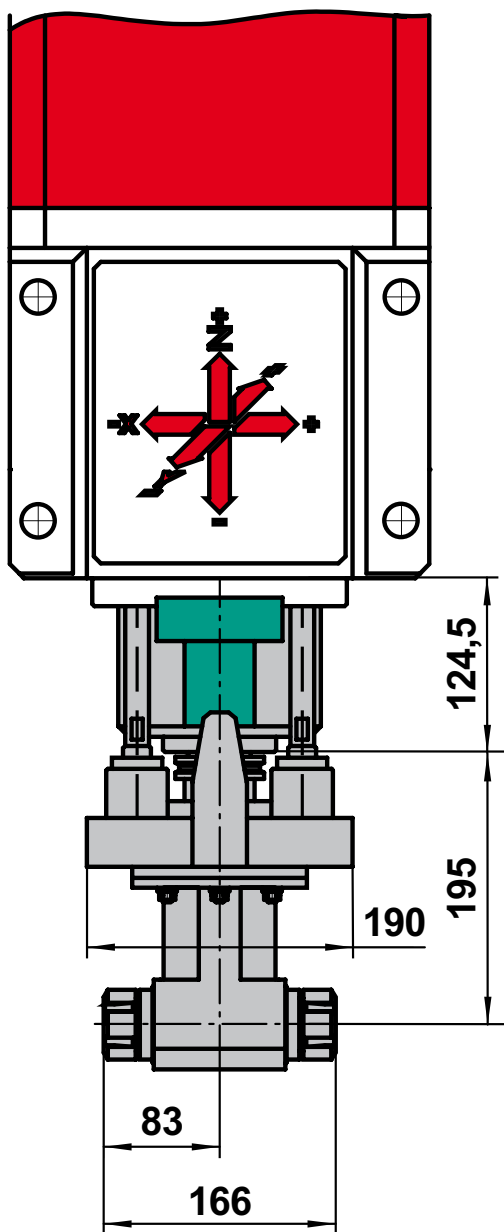
Haakse freeskop SK40/ER32 (4827a)

C60 -8000 omw/min

RS60 -8000 omw/min

C80 -8000 omw/min

RS80 -8000 omw/min

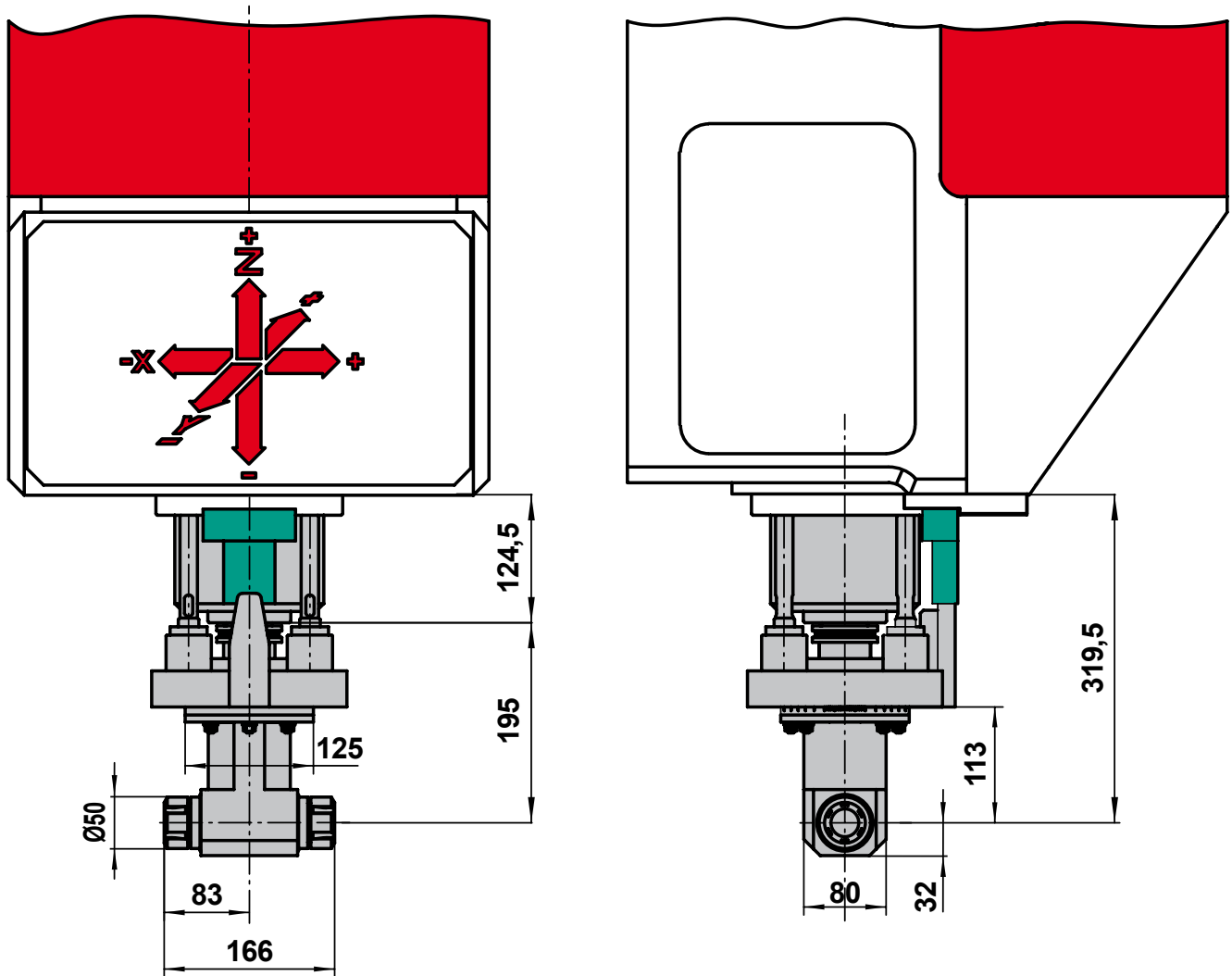


Dubbele haakse boorkop SK40/ER32 (8420a)

CI100 -8000 omw/min

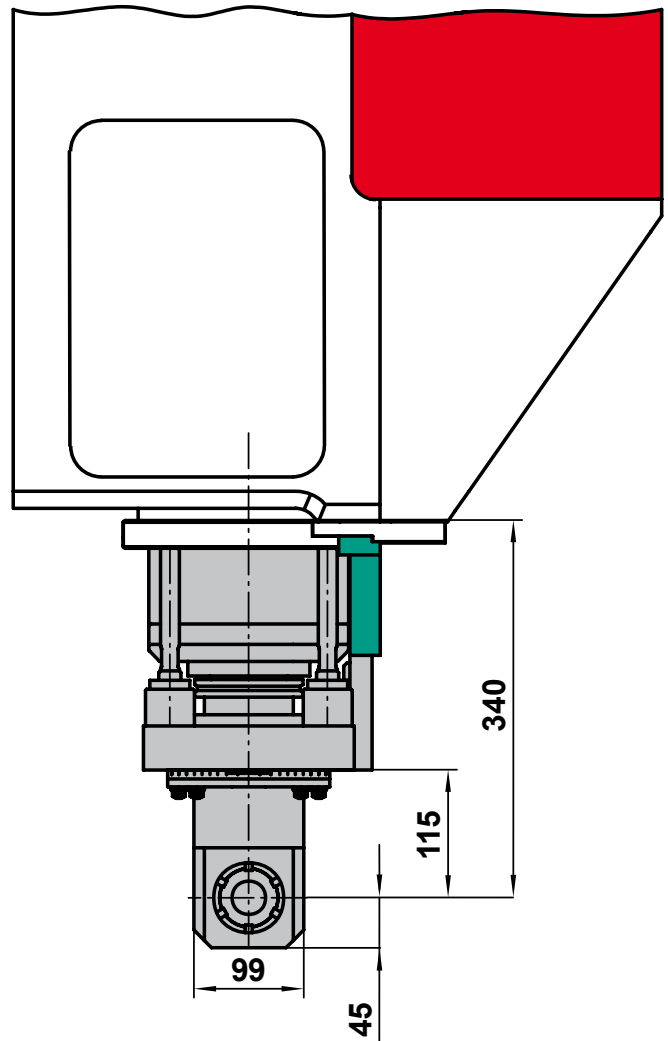
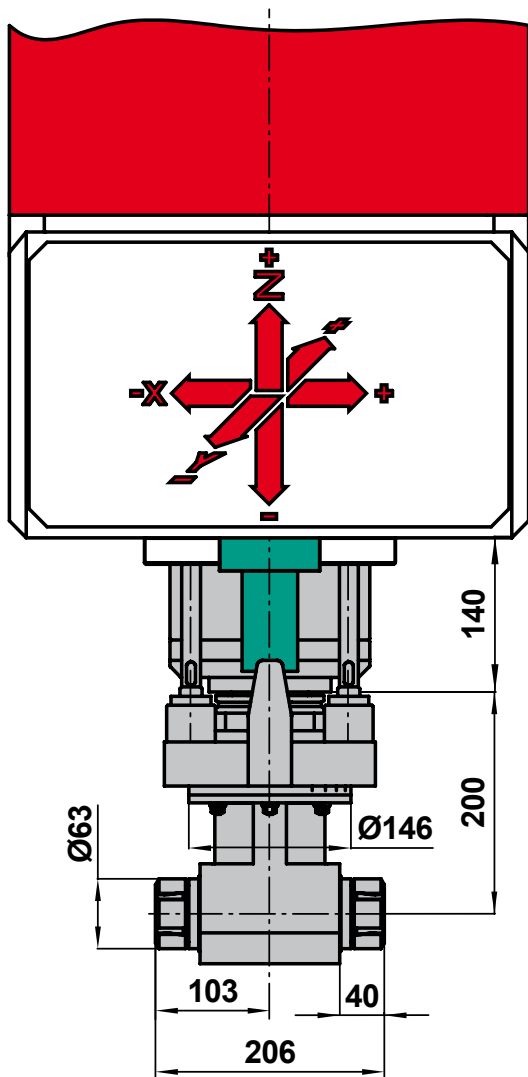
CI25 -8000 omw/min

RSI00 C40 -7000 omw/min



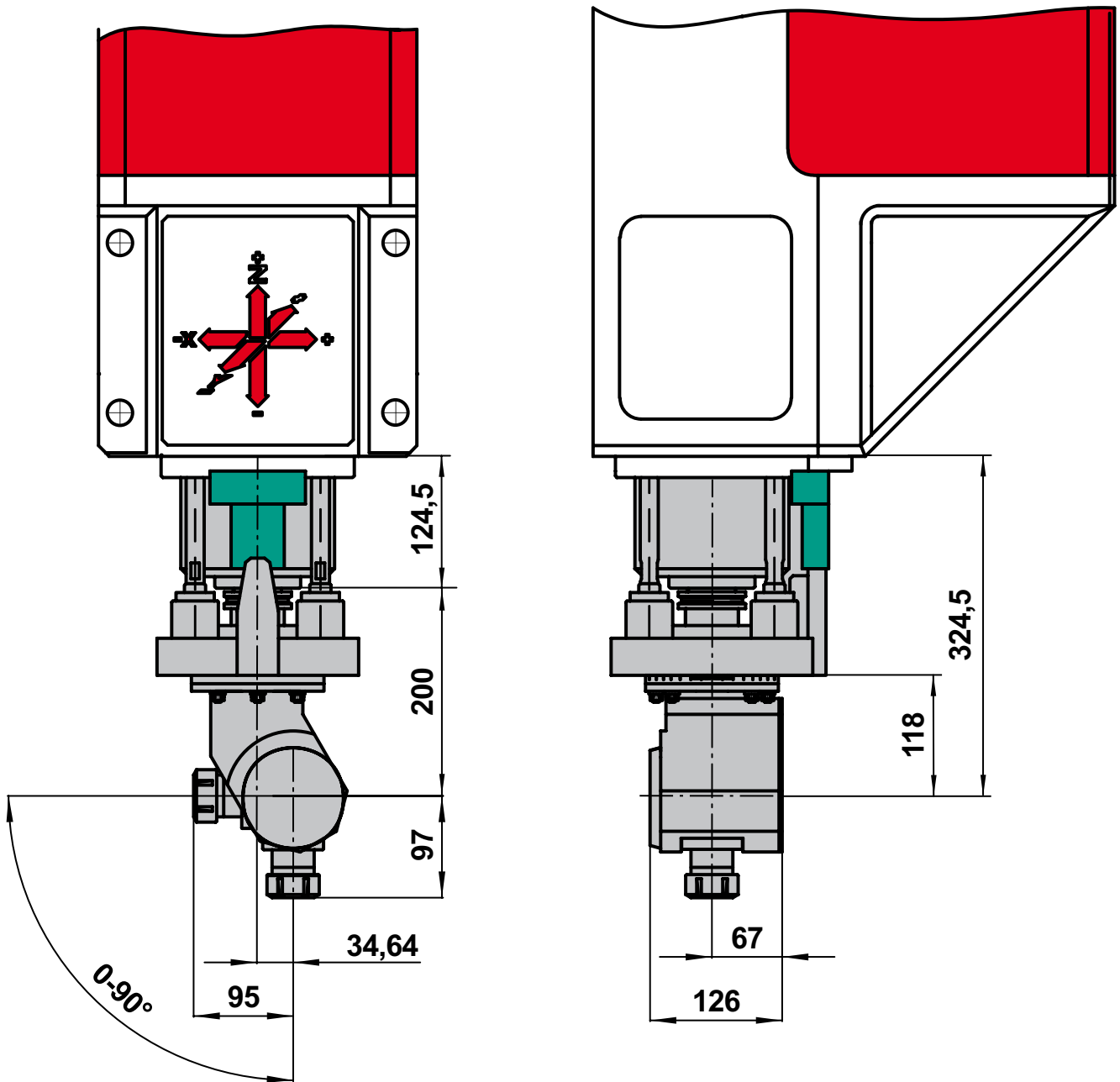
Dubbele haakse boorkop SK50/ER40 (8393)

BC100 -4500/6000 omw/min
BC125 -6000/7000 omw/min
RSI00K/L -7000 omw/min
RSI25K -7000 omw/min



Zwenkbare haakse boorkop SK40/ER32 (8432)

C60 -8000 omw/min
RS60 -8000 omw/min
C80 -8000 omw/min
RS80 -8000 omw/min



Zwenkbare haakse boorkop SK50/ER40 (8431)

BC100 -4500/6000 omw/min
BC125 -6000/7000 omw/min
RSI00K/L -7000 omw/min
RSI25K -7000 omw/min

